

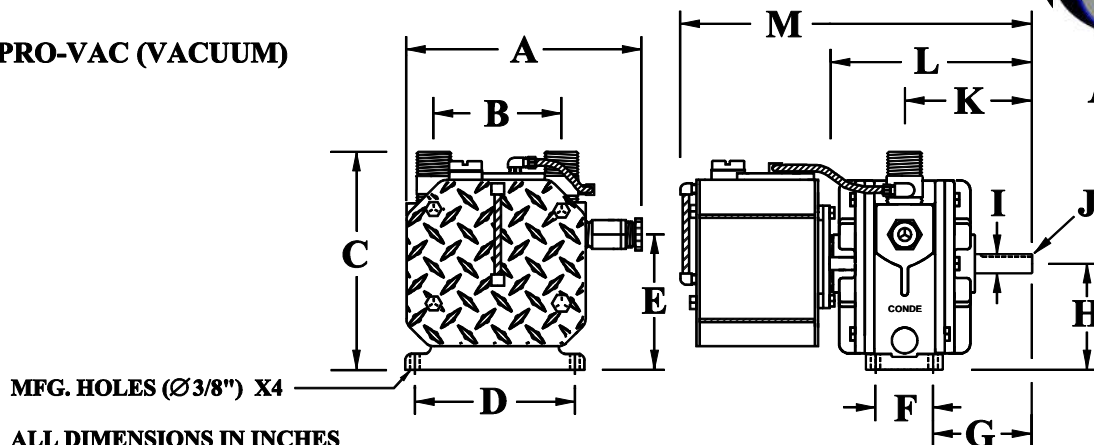
ProVac 3

DIMENSIONAL SPECIFICATIONS



MADE IN USA

#3 PRO-VAC (VACUUM)

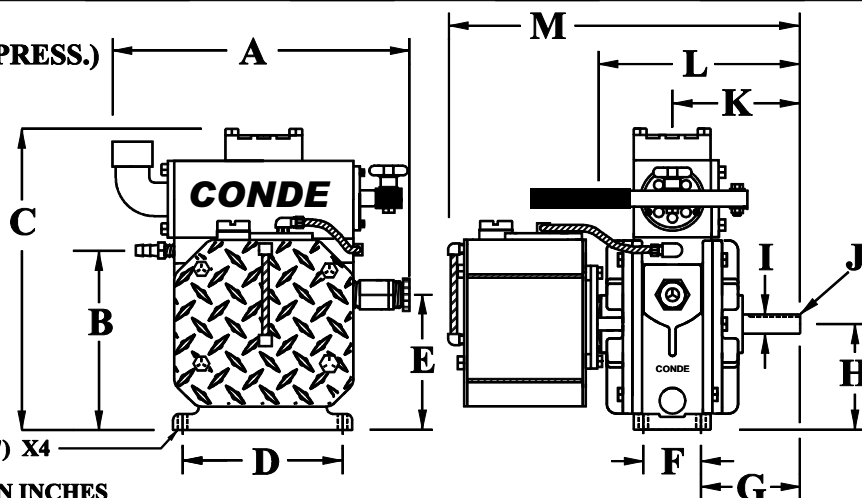


MFG. HOLES (Ø3/8") X4

ALL DIMENSIONS IN INCHES

A	B	C	D	E	F	G	H	I	J	K	L	M
9-1/4	4-1/4	9	6-1/4	5-1/4	2-1/4	3-27/32	4-3/8	Ø 3/4	3/16 KEY	4-31/32	7-7/8	13-1/8

#3 PRO-VAC (VAC./PRESS.)



MFG. HOLES (Ø3/8") X4

ALL DIMENSIONS IN INCHES

A	B	C	D	E	F	G	H	I	J	K	L	M
11-1/2	7-1/16	12-1/4	6-1/4	5-1/4	2-1/4	3-27/32	4-3/8	Ø 3/4	3/16 KEY	4-31/32	7-7/8	13-1/8

PERFORMANCE DATA

PUMP RPM	DISPLACEMENT CFM	SCFM @ VACUUM				
		5	10	15	18	20
1725	35	26	22	17	14	12
1500	30	23	19	14	12	10
1200	24	18	15	12	10	8

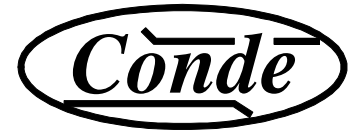
SPEED RANGE	1100 THRU 1725 RPM
MAX. VACUUM	27" HG INTERM. 20" HG CONT.
LUBRICATION	CONDE AUTOMATIC
CONNECTION	1" - 1.5 NPT
SHAFT DIA.	3/4"
WEIGHT	38 LBS (VACUUM) 53 LBS (VAC./PRESS.)

WESTMOOR LTD.
906 WEST HAMILTON AVE
SHERRILL, NEW YORK 13461

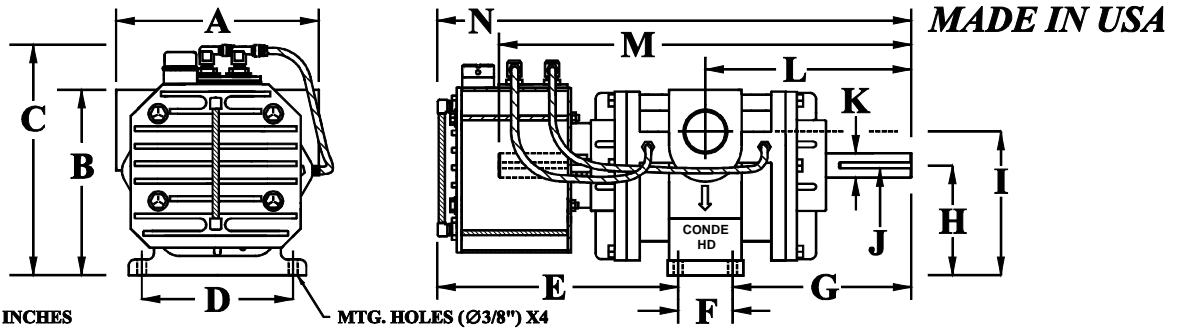
PHONE: 800-367-0972, 315-363-1500
FAX: 315-363-0193
E-MAIL: pumps@westmoorltd.com

Super 6

DIMENSIONAL SPECIFICATIONS

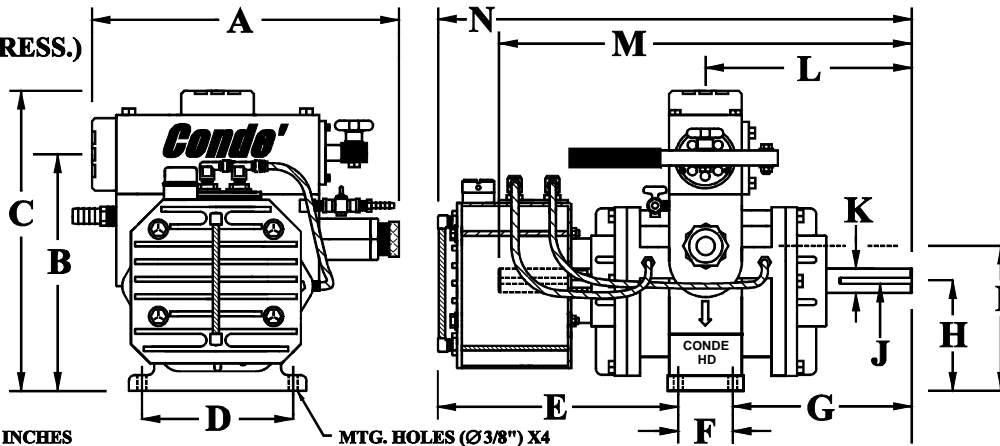


#6 SUPER (VACUUM)



A	B	C	D	E	F	G	H	I	J	K	L	M	N
8	7-5/8	8-7/8	6-1/4	9-3/4	2-1/4	7-1/8	4-9/16	5-15/16	1/4 key	Ø 1	8-1/4	16-1/2	19-1/8

#6 SUPER (VAC./PRESS.)



A	B	C	D	E	F	G	H	I	J	K	L	M	N
13	9-1/8	12	6-1/4	9-3/4	2-1/4	7-1/8	4-9/16	5-15/16	1/4 key	Ø 1	8-1/4	16-1/2	19-1/8

PERFORMANCE DATA

PUMP RPM	DISPLACEMENT CFM	SCFM @ VACUUM				
		5	10	15	18	20
1200	48	36	32	27	21	15
1500	60	45	39	34	27	18
1750	70	52	46	40	31	21
PUMP RPM	DISPLACEMENT CFM	SCFM @ PRESSURE				
		2	4	8	12	15
1200	48	47	47	46	46	45
1500	60	59	59	58	57	57
1750	70	69	68	67	67	66

SPEED RANGE	1100 THRU 1750 RPM
MAXIMUM VACUUM	27" HG INTERMITTENT 20" HG CONTINUOUS
LUBRICATION	CONDE AUTOMATIC
PORT CONNECTION	1-1/4 - 11.5 NPT
SHAFT DIAMETER	1.0"
WEIGHT (VACUUM)	70 LBS
WEIGHT (VAC./PRESS.)	75 LBS

WESTMOOR LTD.
906 WEST HAMILTON AVE
SHERRILL, NEW YORK 13461

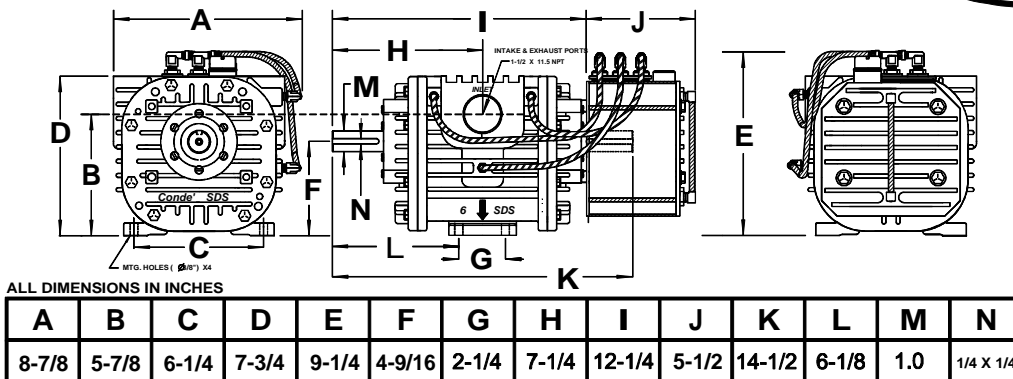
PHONE: 800-367-0972, 315-363-1500
FAX: 315-363-0193
E-MAIL: pumps@westmoorltd.com

SDS 6

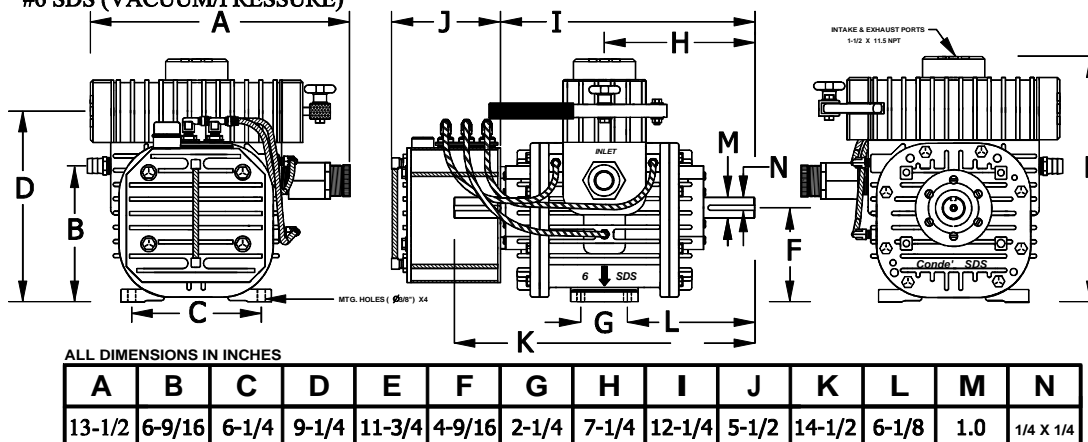
DIMENSIONAL SPECIFICATIONS



#6 SDS (VACUUM)



#6 SDS (VACUUM/PRESSURE)



PERFORMANCE DATA

PUMP RPM	DISPLACEMENT		SCFM @ VACUUM				
	CFM		5	10	15	18	20
1200	79		67	46	38	30	25
1500	99		84	67	47	38	31
1750	115		98	78	55	44	36
PUMP RPM	DISPLACEMENT		SCFM @ PRESSURE				
	CFM		2	4	8	12	15
1750	115	111	108	105	99	92	

SPEED RANGE

1100 THRU 1500 RPM

MAXIMUM VACUUM

27" HG INTERMITTENT
20" HG CONTINUOUS

LUBRICATION

CONDE AUTOMATIC

PORT CONNECTION

1-1/2 - 11.5 NPT

SHAFT DIAMETER

1.0"

WEIGHT (VACUUM)

87 LBS

(VACUUM/PRESSURE)

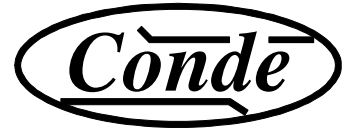
92 LBS

WESTMOOR LTD.
906 WEST HAMILTON AVE
SHERRILL, NEW YORK 13461

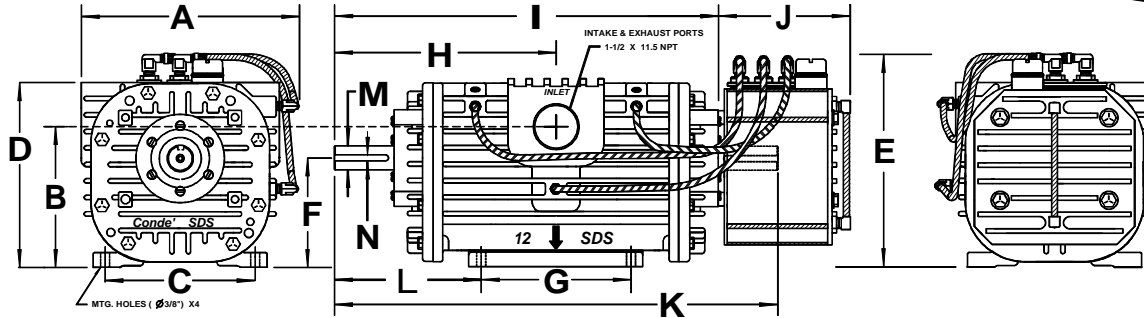
PHONE: 800-367-0972, 315-363-1500
FAX: 315-363-0193
E-MAIL: pumps@westmoorltd.com

SDS 12

DIMENSIONAL SPECIFICATIONS



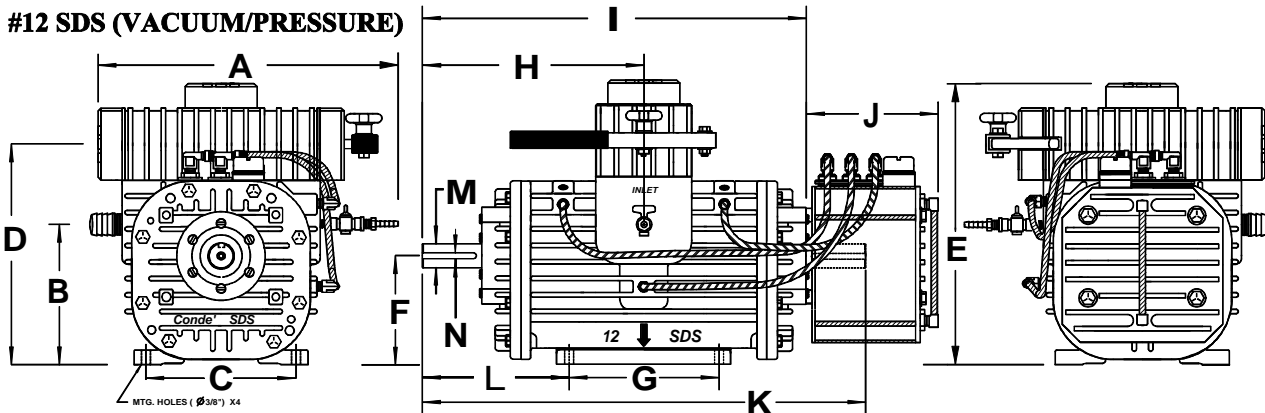
#12 SDS (VACUUM)



ALL DIMENSIONS IN INCHES

A	B	C	D	E	F	G	H	I	J	K	L	M	N
8-7/8	5-7/8	6-1/4	7-3/4	9-1/4	4-9/16	6-1/4	9-31/32	16-7/8	5-1/2	19-15/16	6-27/32	1-1/8	1/4 X 1/4 2" LGTH

#12 SDS (VACUUM/PRESSURE)



ALL DIMENSIONS IN INCHES

A	B	C	D	E	F	G	H	I	J	K	L	M	N
12-5/8	6-1/4	6-1/4	9-1/4	11-3/4	4-9/16	6-1/4	9-31/32	16-7/8	5-1/2	19-15/16	6-27/32	1-1/8	1/4 X 1/4 2" LGTH

PERFORMANCE DATA

PUMP RPM	DISPLACEMENT		SCFM @ VACUUM				
	CFM		5	10	15	18	20
1200	123	104	71	62	47	56	
1500	154	131	104	77	51	42	
1750	180	153	122	90	69	21	

PUMP RPM	DISPLACEMENT		SCFM @ PRESSURE				
	CFM		2	4	8	12	15
1750	180	178	176	165	158	144	

SPEED RANGE

1100 THRU 1500 RPM

MAXIMUM VACUUM

27" HG INTERMITTENT
20" HG CONTINUOUS

LUBRICATION

CONDE AUTOMATIC

PORT CONNECTION

1-1/2 - 11.5 NPT

SHAFT DIAMETER

1-1/8"

WEIGHT (VACUUM)
(VACUUM/PRESSURE)

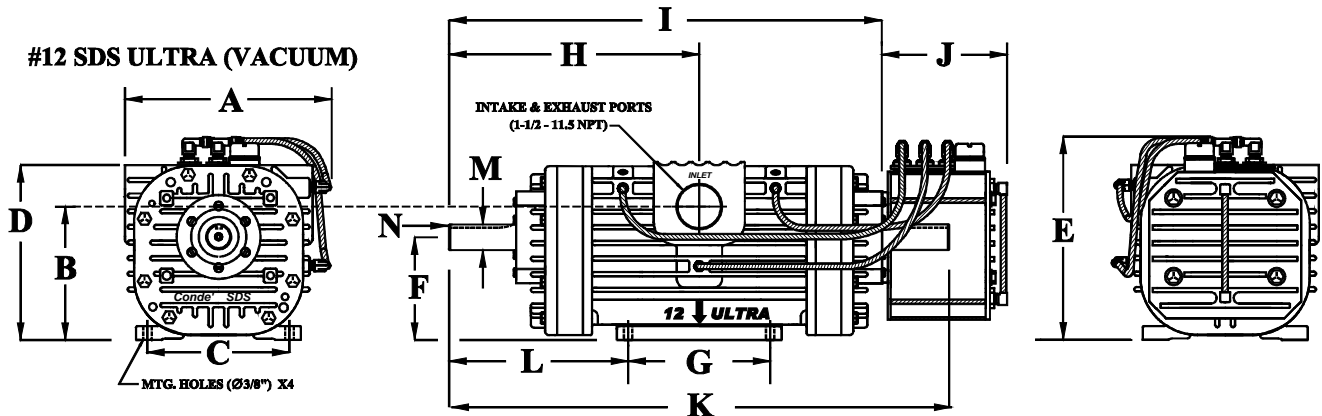
120 LBS.
125 LBS.

WESTMOOR LTD.
906 WEST HAMILTON AVE
SHERRILL, NEW YORK 13461

PHONE: 800-367-0972, 315-363-1500
FAX: 315-363-0193
E-MAIL: pumps@westmoorltd.com

SDS Ultra

DIMENSIONAL SPECIFICATIONS

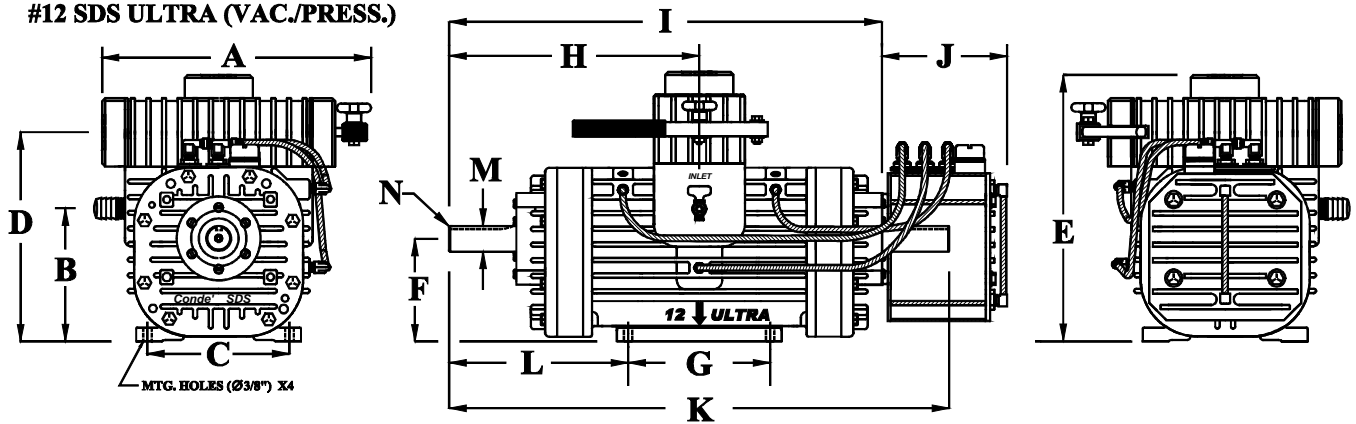


ALL DIMENSIONS IN INCHES

A	B	C	D	E	F	G	H	I	J	K	L	M	N
8-7/8	5-7/8	6-1/4	8	9-1/4	4-9/16	6-1/4	11	19	5-1/2	22	7-7/8	1-1/8	1/4 KEY

01/20/99

#12 SDS Ultra (VAC./PRESS.)



ALL DIMENSIONS IN INCHES

A	B	C	D	E	F	G	H	I	J	K	L	M	N
11-7/8	5-7/8	6-1/4	9-1/4	11-3/4	4-9/16	6-1/4	11	19	5-1/2	22	7-7/8	1-1/8	1/4 KEY

01/20/99

PERFORMANCE DATA

PUMP RPM	DISPLACEMENT CFM	SCFM & ACFM @ VACUUM					
		5	10	15	18	20	
1500	230	SCFM	165	129	94	72	56
		ACFM	198	193	188	180	167
1200	185	SCFM	135	106	76	59	46
		ACFM	163	159	152	148	140
PUMP RPM	DISPLACEMENT CFM	SCFM @ PSIG					
		5	10	15			
1500	230	SCFM	194	188	178		

SPEED RANGE	1100 THRU 1500 RPM
MAXIMUM VACUUM	28" HG INTERMITTENT 20" HG CONTINUOUS
LUBRICATION	CONDE AUTOMATIC
PORT CONNECTION	1-1/2-11.5 NPT
SHAFT DIAMETER	1-1/8"
WEIGHT (VACUUM)	145 LBS
WEIGHT (VAC./PRESS.)	152 LBS

WESTMOOR LTD.
906 WEST HAMILTON AVE
SHERRILL, NEW YORK 13461

PHONE: 800-367-0972, 315-363-1500
FAX: 315-363-0193
E-MAIL: pumps@westmoorltd.com