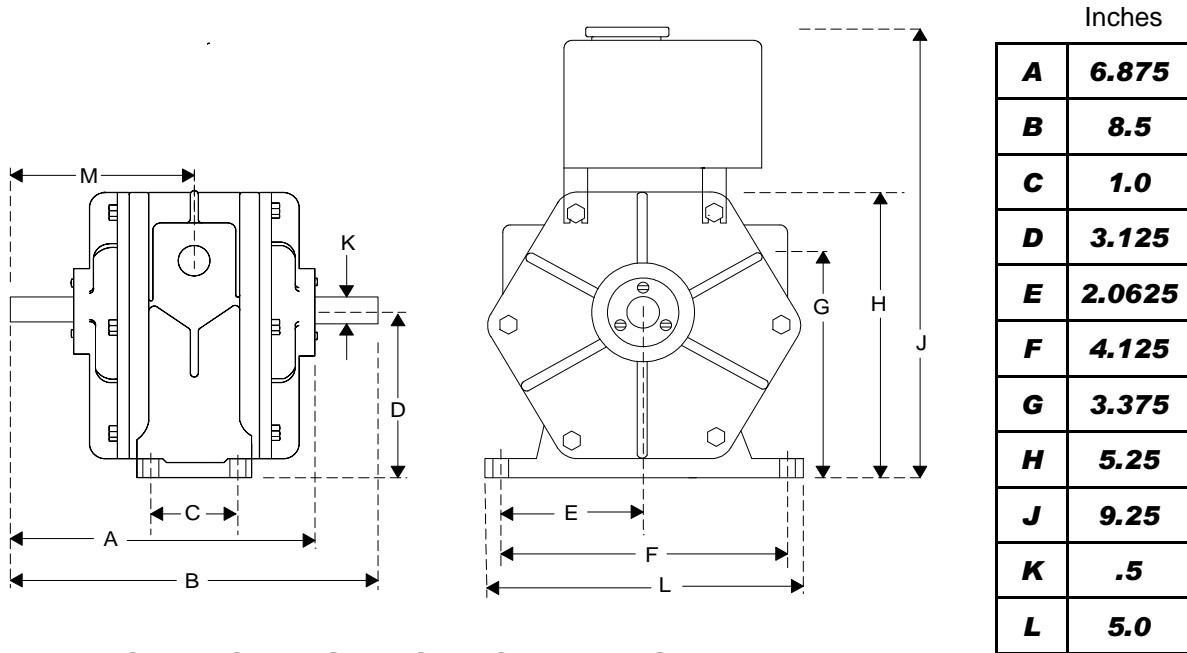


DIMENSIONAL SPECIFICATIONS

Model 2



TECHNICAL SPECIFICATIONS

- * **MAXIMUM AIR FLOW (Vac.)**
7 Cubic Feet per minute @ free air
- * **MAXIMUM VACUUM**
24" Hg (.90 bar) intermittent
- * **SPEED RANGE**
1100 RPM TO 1750 RPM
- * **MAXIMUM PRESSURE**
15 PSI intermittent
10 PSI continuous
- * **LUBRICATION**
Conde Wick Automatic
- * **WEIGHT**
15 lbs.
- * **PORT SIZE**
1/2"
- * **SHAFT DIAMETER**
1/2"

PERFORMANCE SPECIFICATIONS

| Pump R.P.M. | Free Air C.F.M. | S.C.F.M. @ VACUUM | | | | |
|-------------|-----------------|-------------------|-----|-----|-----|-----|
| | | 5 | 10 | 15 | 18 | 20 |
| 1200 | 4.8 | 3.5 | 2.6 | 1.5 | 1.0 | .5 |
| 1500 | 6.0 | 4.5 | 3.5 | 2.5 | 2.0 | 1.5 |
| 1750 | 7.0 | 5.1 | 4.0 | 3.5 | 2.1 | 1.7 |

Conde' Pumps

906 West Hamilton Avenue
Sherrill, New York 13461

Phone: 800-367-0972

Fax: 315-363-0193

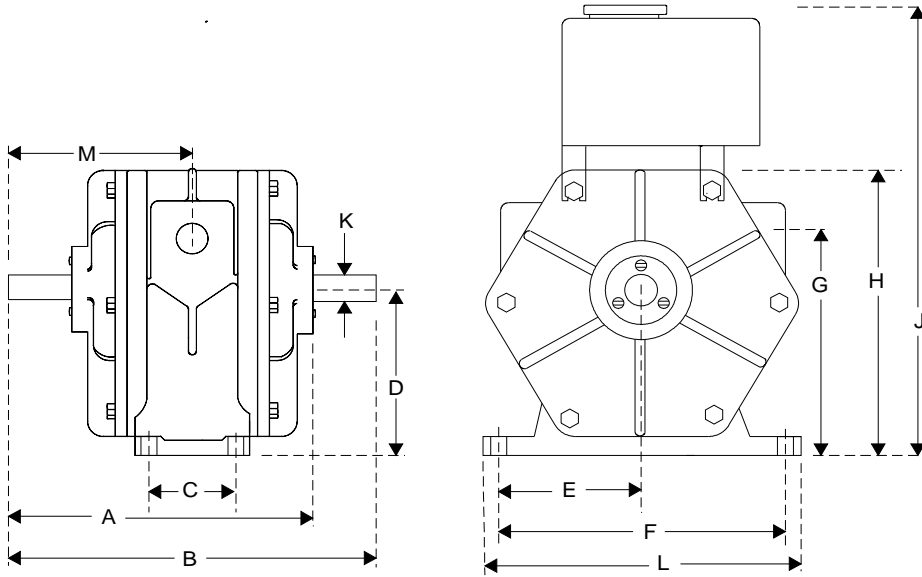
Visit us on the world wide web at:

www.westmoorltd.com

DIMENSIONAL SPECIFICATIONS

Model 3

Inches



| | |
|----------|--------------|
| A | 8.0 |
| B | 10.0 |
| C | 2.25 |
| D | 4.36 |
| E | 3.125 |
| F | 6.25 |
| G | 5.25 |
| H | 7.5 |
| J | 11.0 |
| K | .75 |
| L | 7.0 |
| M | 5.0 |

TECHNICAL SPECIFICATIONS

- * **MAXIMUM AIR FLOW (Vac.)**
20 Cubic Feet per minute @ free air
- * **MAXIMUM VACUUM**
24" Hg (.90 bar) intermittent
- * **SPEED RANGE**
1100 RPM TO 1750 RPM
- * **MAXIMUM PRESSURE**
15 PSI intermittent
10 PSI continuous
- * **LUBRICATION**
Conde Wick Automatic
- * **WEIGHT**
38 lbs.
- * **PORT SIZE**
3/4"
- * **SHAFT DIAMETER**
3/4"

PERFORMANCE SPECIFICATIONS

| Pump R.P.M. | Free Air C.F.M. | S.C.F.M. @ VACUUM | | | | |
|-------------|-----------------|-------------------|----|----|----|----|
| | | 5 | 10 | 15 | 18 | 20 |
| 1200 | 14 | 11 | 9 | 6 | 5 | 4 |
| 1500 | 18 | 14 | 11 | 8 | 6 | 5 |
| 1750 | 19 | 16 | 13 | 9 | 7 | 6 |

Conde' Pumps

906 West Hamilton Avenue
Sherrill, New York 13461

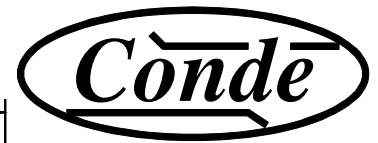
Phone: 800-367-0972

Fax: 315-363-0193

Visit us on the world wide web at:

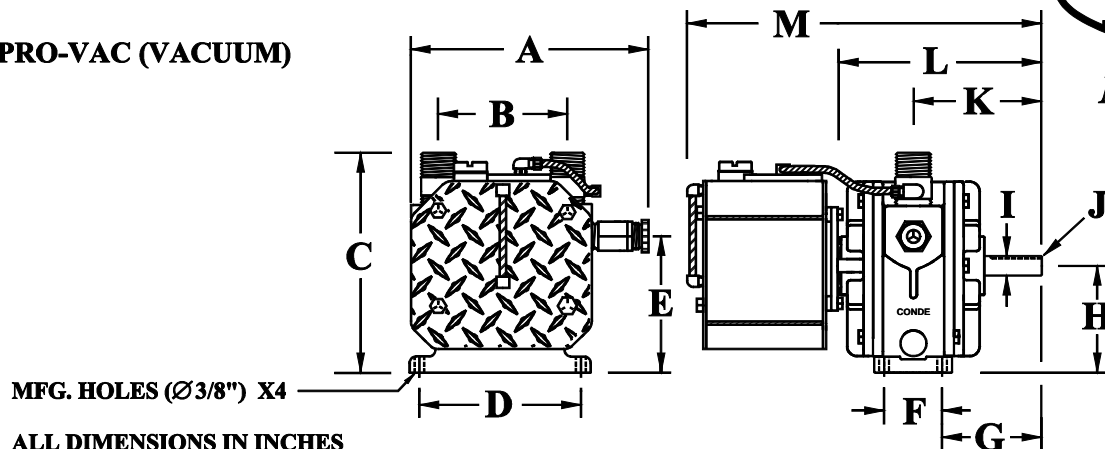
www.westmoorltd.com

DIMENSIONAL SPECIFICATIONS



MADE IN USA

#3 PRO-VAC (VACUUM)



MFG. HOLES (Ø3/8") X4

ALL DIMENSIONS IN INCHES

| A | B | C | D | E | F | G | H | I | J | K | L | M |
|-------|-------|---|-------|-------|-------|---------|-------|-------|----------|---------|-------|--------|
| 9-1/4 | 4-1/4 | 9 | 6-1/4 | 5-1/4 | 2-1/4 | 3-27/32 | 4-3/8 | Ø 3/4 | 3/16 KEY | 4-31/32 | 7-7/8 | 13-1/8 |

PERFORMANCE DATA

| PUMP RPM | DISPLACEMENT CFM | SCFM @ VACUUM | | | | |
|----------|------------------|---------------|----|----|----|----|
| | | 5 | 10 | 15 | 18 | 20 |
| 1725 | 35 | 26 | 22 | 17 | 14 | 12 |
| 1500 | 30 | 23 | 19 | 14 | 12 | 10 |
| 1200 | 24 | 18 | 15 | 12 | 10 | 8 |

| | |
|-------------|--------------------------------|
| SPEED RANGE | 1100 THRU 1725 RPM |
| MAX. VACUUM | 27" HG INTERM. 20" HG CONT. |
| LUBRICATION | CONDE AUTOMATIC |
| CONNECTION | 1.0 - 11.5 NPT |
| SHAFT DIA. | 3/4" |
| WEIGHT | 38 LBS (VACUUM) |

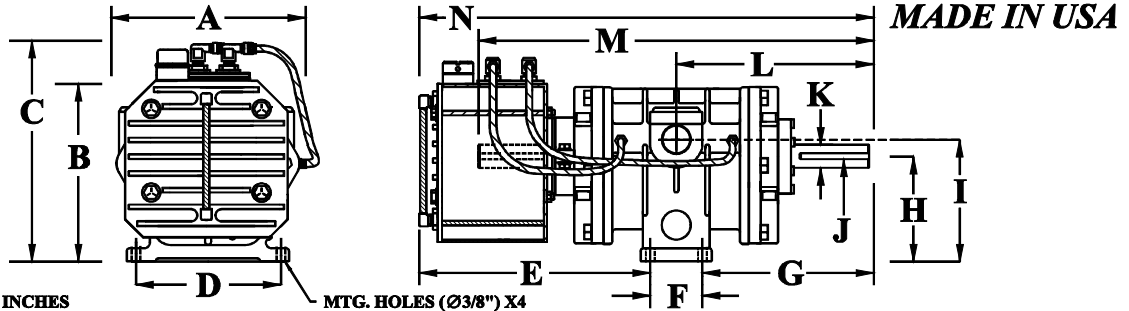
WESTMOOR LTD.
906 WEST HAMILTON AVE
SHERRILL, NEW YORK 13461

PHONE: 800-367-0972, 315-363-1500
FAX: 315-363-0193
E-MAIL: pumps@westmoorltd.com

DIMENSIONAL SPECIFICATIONS



CONDE #6 VACUUM



MADE IN USA

ALL DIMENSIONS IN INCHES

MTG. HOLES (Ø3/8") X4

| A | B | C | D | E | F | G | H | I | J | K | L | M | N |
|---|-------|-------|-------|-------|-------|-------|--------|-------|---------|-----|-------|--------|--------|
| 8 | 7-5/8 | 8-7/8 | 6-1/4 | 9-3/4 | 2-1/4 | 7-1/8 | 4-9/16 | 5-1/4 | 1/4 key | Ø 1 | 8-1/4 | 16-1/2 | 19-1/8 |

PERFORMANCE DATA

| PUMP RPM | DISPLACEMENT CFM | SCFM @ VACUUM | | | | |
|-------------|---------------------|---------------|----|----|----|----|
| | | 5 | 10 | 15 | 18 | 20 |
| 1200 | 29 | 22 | 17 | 13 | 9 | 8 |
| 1500 | 33 | 28 | 21 | 16 | 11 | 10 |
| 1750 | 38 | 32 | 25 | 17 | 13 | 11 |

| PUMP RPM | DISPLACEMENT CFM | SCFM @ PRESSURE | | | | |
|-------------|---------------------|-----------------|----|----|----|----|
| | | 2 | 4 | 8 | 12 | 15 |
| 1200 | 29 | 25 | 24 | 23 | 20 | 17 |
| 1500 | 33 | 32 | 31 | 30 | 28 | 25 |
| 1750 | 38 | 37 | 36 | 35 | 33 | 30 |

| | |
|------------------------|--------------------------------------------------|
| SPEED RANGE | 1100 THRU 1750 RPM |
| MAXIMUM VACUUM | 27" HG INTERMITTENT 20" HG CONTINUOUS |
| LUBRICATION | CONDE AUTOMATIC |
| PORT CONNECTION | 1.0 - 11.5 NPT |
| SHAFT DIAMETER | 1.0" |
| WEIGHT (VACUUM) | 60 LBS |

**WESTMOOR LTD.
906 WEST HAMILTON AVE
SHERRILL, NEW YORK 13461**

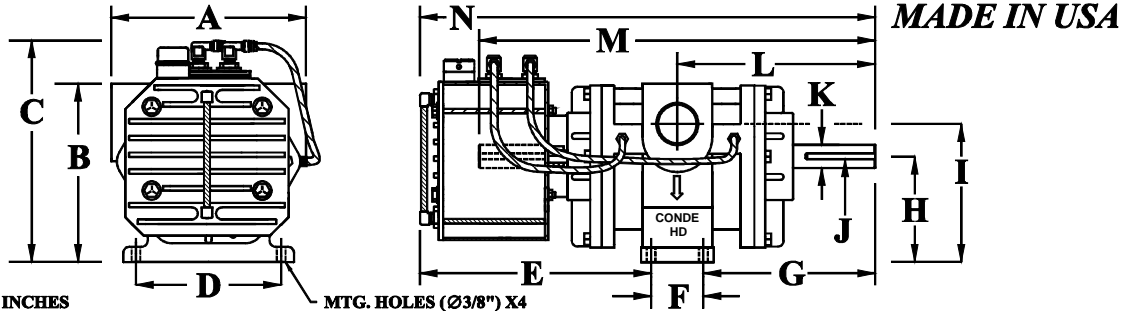
**PHONE: 800-367-0972, 315-363-1500
FAX: 315-363-0193
E-MAIL: pumps@westmoorltd.com**

Super 6

DIMENSIONAL SPECIFICATIONS



#6 SUPER (VACUUM)



ALL DIMENSIONS IN INCHES

MTG. HOLES (Ø3/8" X4)

| A | B | C | D | E | F | G | H | I | J | K | L | M | N |
|---|-------|-------|-------|-------|-------|-------|--------|---------|---------|-----|-------|--------|--------|
| 8 | 7-5/8 | 8-7/8 | 6-1/4 | 9-3/4 | 2-1/4 | 7-1/8 | 4-9/16 | 5-15/16 | 1/4 key | Ø 1 | 8-1/4 | 16-1/2 | 19-1/8 |

PERFORMANCE DATA

| PUMP RPM | DISPLACEMENT CFM | SCFM @ VACUUM | | | | |
|-------------|---------------------|---------------|----|----|----|----|
| | | 5 | 10 | 15 | 18 | 20 |
| 1200 | 48 | 36 | 32 | 27 | 21 | 15 |
| 1500 | 60 | 45 | 39 | 34 | 27 | 18 |
| 1750 | 70 | 52 | 46 | 40 | 31 | 21 |

| PUMP RPM | DISPLACEMENT CFM | SCFM @ PRESSURE | | | | |
|-------------|---------------------|-----------------|----|----|----|----|
| | | 2 | 4 | 8 | 12 | 15 |
| 1200 | 48 | 47 | 47 | 46 | 46 | 45 |
| 1500 | 60 | 59 | 59 | 58 | 57 | 57 |
| 1750 | 70 | 69 | 68 | 67 | 67 | 66 |

| | |
|-----------------|------------------------------------------|
| SPEED RANGE | 1100 THRU 1750 RPM |
| MAXIMUM VACUUM | 27" HG INTERMITTENT 20" HG CONTINUOUS |
| LUBRICATION | CONDE AUTOMATIC |
| PORT CONNECTION | 1-1/4 - 11.5 NPT |
| SHAFT DIAMETER | 1.0" |
| WEIGHT (VACUUM) | 70 LBS |

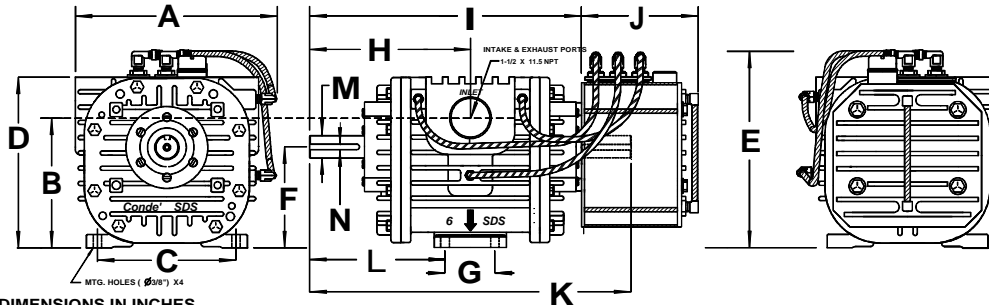
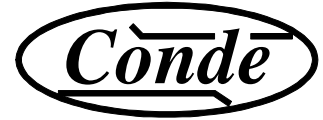
WESTMOOR LTD.
906 WEST HAMILTON AVE
SHERRILL, NEW YORK 13461

PHONE: 800-367-0972, 315-363-1500
FAX: 315-363-0193
E-MAIL: pumps@westmoorltd.com

SDS 6

DIMENSIONAL SPECIFICATIONS

#6 SDS (VACUUM)



ALL DIMENSIONS IN INCHES

| A | B | C | D | E | F | G | H | I | J | K | L | M | N |
|-------|-------|-------|-------|-------|--------|-------|-------|--------|-------|--------|-------|-----|-----------|
| 8-7/8 | 5-7/8 | 6-1/4 | 7-3/4 | 9-1/4 | 4-9/16 | 2-1/4 | 7-1/4 | 12-1/4 | 5-1/2 | 14-1/2 | 6-1/8 | 1.0 | 1/4 X 1/4 |

PERFORMANCE DATA

| PUMP RPM | DISPLACEMENT CFM | SCFM @ VACUUM | | | | |
|-------------|---------------------|---------------|----|----|----|----|
| | | 5 | 10 | 15 | 18 | 20 |
| 1200 | 79 | 67 | 46 | 38 | 30 | 25 |
| 1500 | 99 | 84 | 67 | 47 | 38 | 31 |
| 1750 | 115 | 98 | 78 | 55 | 44 | 36 |

| PUMP RPM | DISPLACEMENT CFM | SCFM @ PRESSURE | | | | |
|-------------|---------------------|-----------------|-----|-----|----|----|
| | | 2 | 4 | 8 | 12 | 15 |
| 1750 | 115 | 111 | 108 | 105 | 99 | 92 |

SPEED RANGE

1100 THRU 1500 RPM

MAXIMUM VACUUM

27" HG INTERMITTENT
20" HG CONTINUOUS

LUBRICATION

CONDE AUTOMATIC

PORT CONNECTION

1-1/2 - 11.5 NPT

SHAFT DIAMETER

1.0"

WEIGHT (VACUUM)

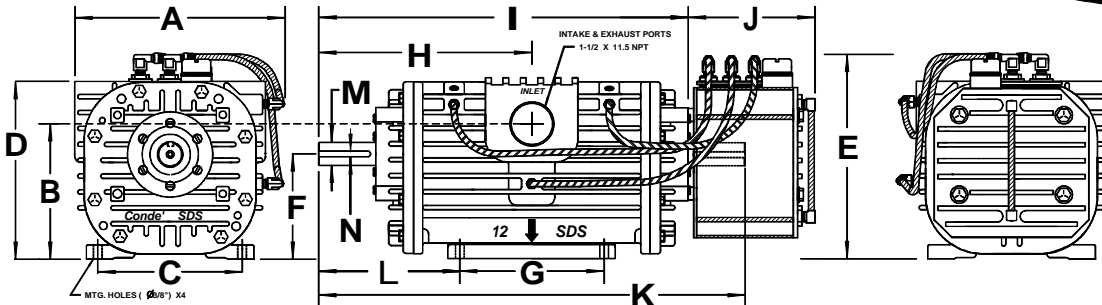
87 LBS

WESTMOOR LTD.
906 WEST HAMILTON AVE
SHERRILL, NEW YORK 13461

PHONE: 800-367-0972, 315-363-1500
FAX: 315-363-0193
E-MAIL: pumps@westmoorltd.com

DIMENSIONAL SPECIFICATIONS

#12 SDS (VACUUM)



ALL DIMENSIONS IN INCHES

| A | B | C | D | E | F | G | H | I | J | K | L | M | N |
|-------|-------|-------|-------|-------|--------|-------|---------|--------|-------|----------|---------|-------|----------------------|
| 8-7/8 | 5-7/8 | 6-1/4 | 7-3/4 | 9-1/4 | 4-9/16 | 6-1/4 | 9-31/32 | 16-7/8 | 5-1/2 | 19-15/16 | 6-27/32 | 1-1/8 | 1/4 X 1/4 2" LGTH |

PERFORMANCE DATA

| PUMP RPM | DISPLACEMENT CFM | SCFM @ VACUUM | | | | |
|-------------|---------------------|---------------|-----|----|----|----|
| | | 5 | 10 | 15 | 18 | 20 |
| 1200 | 123 | 104 | 71 | 62 | 47 | 56 |
| 1500 | 154 | 131 | 104 | 77 | 51 | 42 |
| 1750 | 180 | 153 | 122 | 90 | 69 | 21 |

| PUMP RPM | DISPLACEMENT CFM | SCFM @ PRESSURE | | | | |
|-------------|---------------------|-----------------|-----|-----|-----|-----|
| | | 2 | 4 | 8 | 12 | 15 |
| 1750 | 180 | 178 | 176 | 165 | 158 | 144 |

| | |
|------------------------|--------------------------------------------------|
| SPEED RANGE | 1100 THRU 1500 RPM |
| MAXIMUM VACUUM | 27" HG INTERMITTENT 20" HG CONTINUOUS |
| LUBRICATION | CONDE AUTOMATIC |
| PORT CONNECTION | 1-1/2 - 11.5 NPT |
| SHAFT DIAMETER | 1-1/8" |
| WEIGHT (VACUUM) | 120 LBS |

**WESTMOOR LTD.
906 WEST HAMILTON AVE
SHERRILL, NEW YORK 13461**

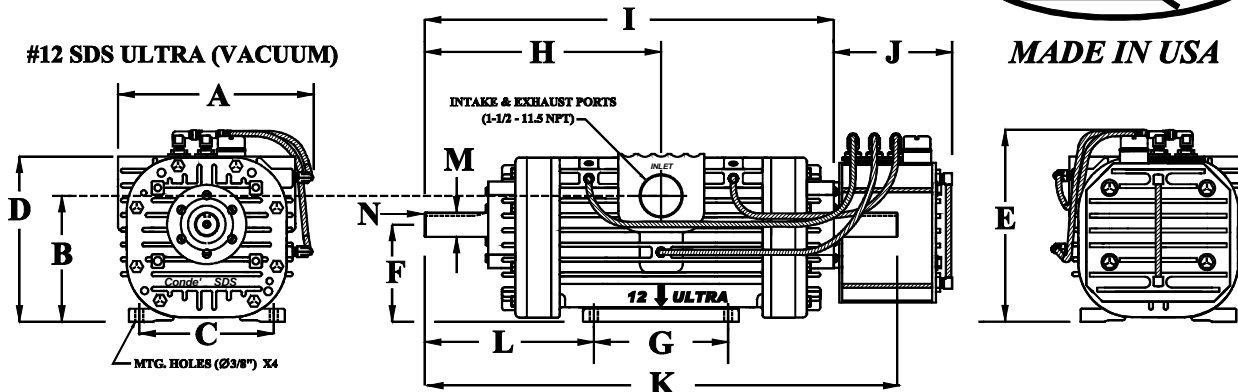
**PHONE: 800-367-0972, 315-363-1500
FAX: 315-363-0193
E-MAIL: pumps@westmoorltd.com**

SDS Ultra

DIMENSIONAL SPECIFICATIONS



MADE IN USA



ALL DIMENSIONS IN INCHES

| A | B | C | D | E | F | G | H | I | J | K | L | M | N |
|-------|-------|-------|---|-------|--------|-------|----|----|-------|----|-------|-------|------------|
| 8-7/8 | 5-7/8 | 6-1/4 | 8 | 9-1/4 | 4-9/16 | 6-1/4 | 11 | 19 | 5-1/2 | 22 | 7-7/8 | 1-1/8 | 1/4 KEY |

01/2008

PERFORMANCE DATA

| PUMP RPM | DISPLACEMENT CFM | | SCFM & ACFM @ VACUUM | | | | |
|-------------|---------------------|------|----------------------|-----|-----|-----|-----|
| | | | 5 | 10 | 15 | 18 | 20 |
| 1500 | 230 | SCFM | 165 | 129 | 94 | 72 | 56 |
| | | ACFM | 198 | 193 | 188 | 180 | 167 |
| 1200 | 185 | SCFM | 135 | 106 | 76 | 59 | 46 |
| | | ACFM | 163 | 159 | 152 | 148 | 140 |
| PUMP RPM | DISPLACEMENT CFM | | SCFM @ PSIG | | | | |
| | | | 5 | 10 | 15 | | |
| 1500 | 230 | SCFM | 194 | 188 | 178 | | |

| | |
|-----------------|------------------------------------------|
| SPEED RANGE | 1100 THRU 1500 RPM |
| MAXIMUM VACUUM | 28" HG INTERMITTENT 20" HG CONTINUOUS |
| LUBRICATION | CONDE AUTOMATIC |
| PORT CONNECTION | 1-1/2-11.5 NPT |
| SHAFT DIAMETER | 1-1/8" |
| WEIGHT (VACUUM) | 145 LBS |

WESTMOOR LTD.
906 WEST HAMILTON AVE
SHERRILL, NEW YORK 13461

PHONE: 800-367-0972, 315-363-1500
FAX: 315-363-0193
E-MAIL: pumps@westmoorltd.com